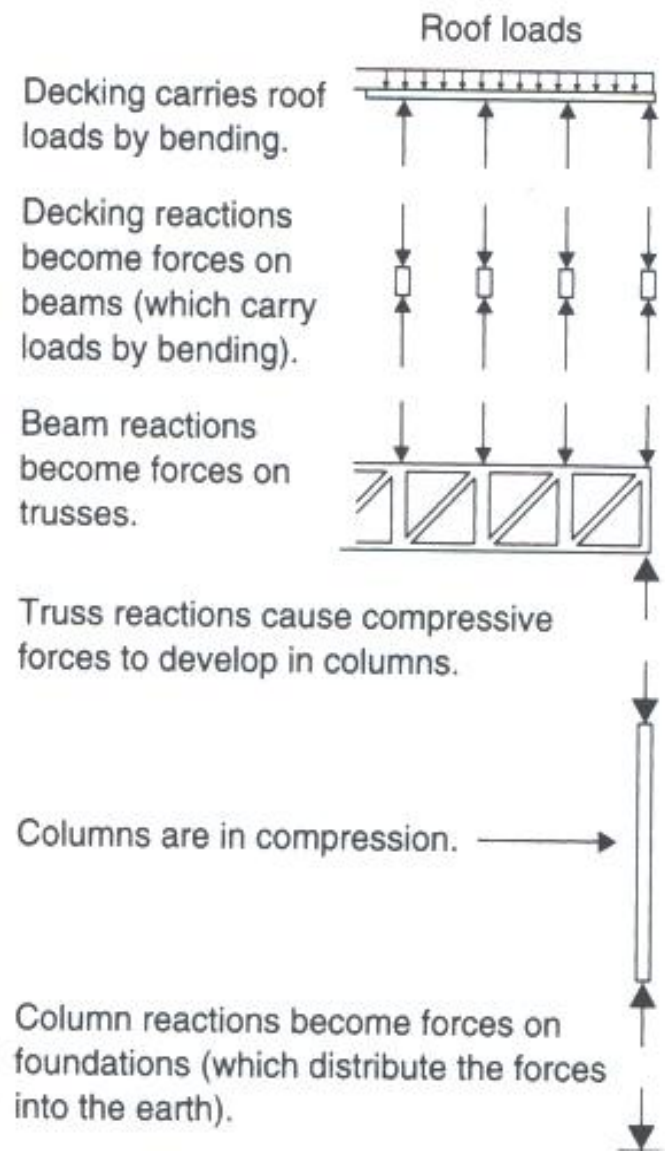
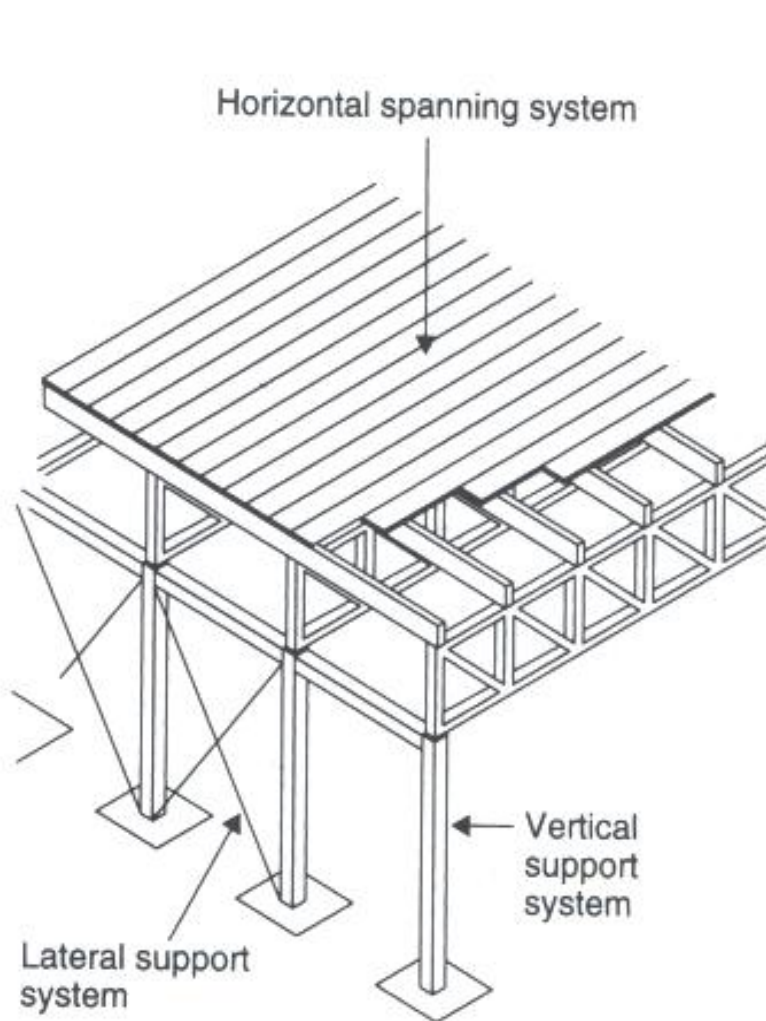
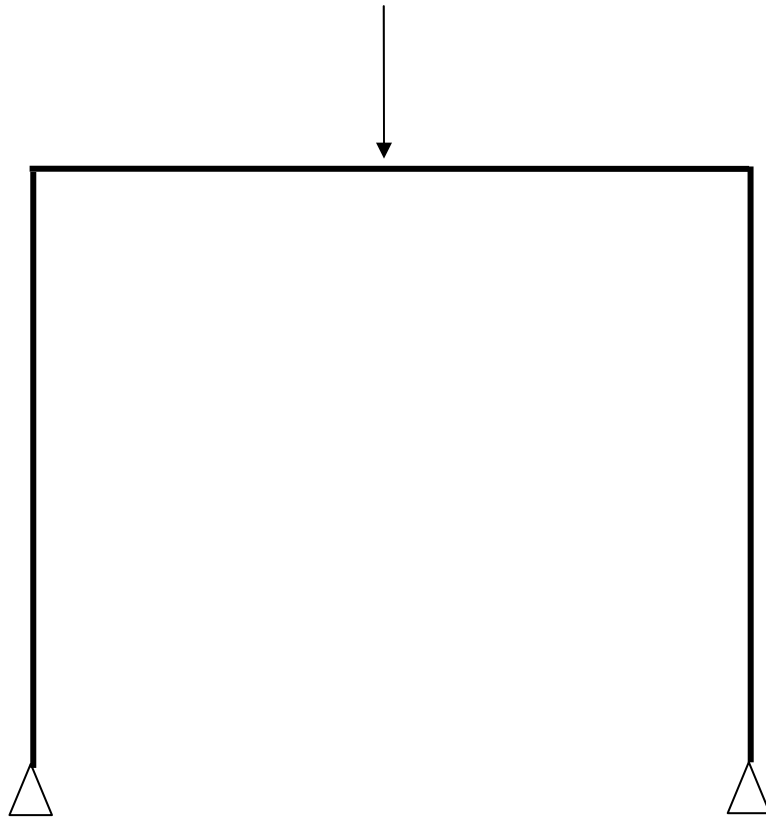


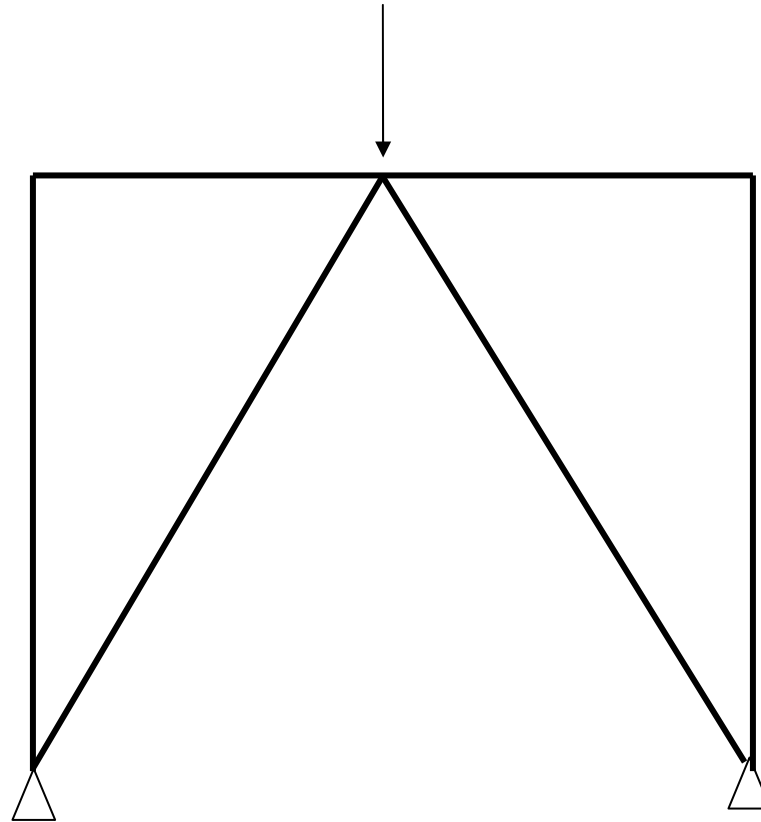
Load Path



Example 1



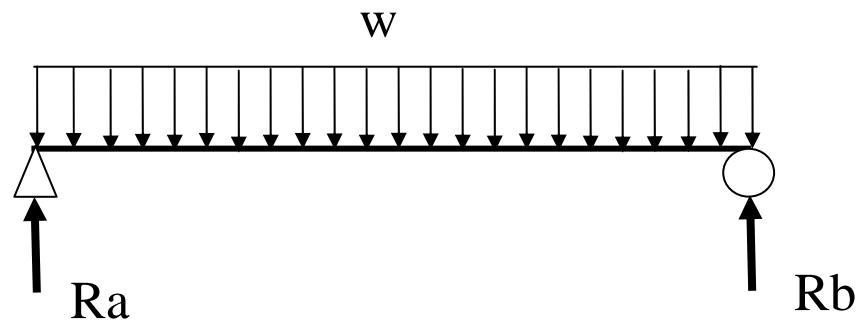
Example 2



- ***Loads always flow through the stiffest path***
- ***Shorter load paths generally result in more efficient***

Free Body Diagram

A picture of the physical situation you are analyzing, which depicts all of the relevant forces acting on the structure of interest.



Example 2

