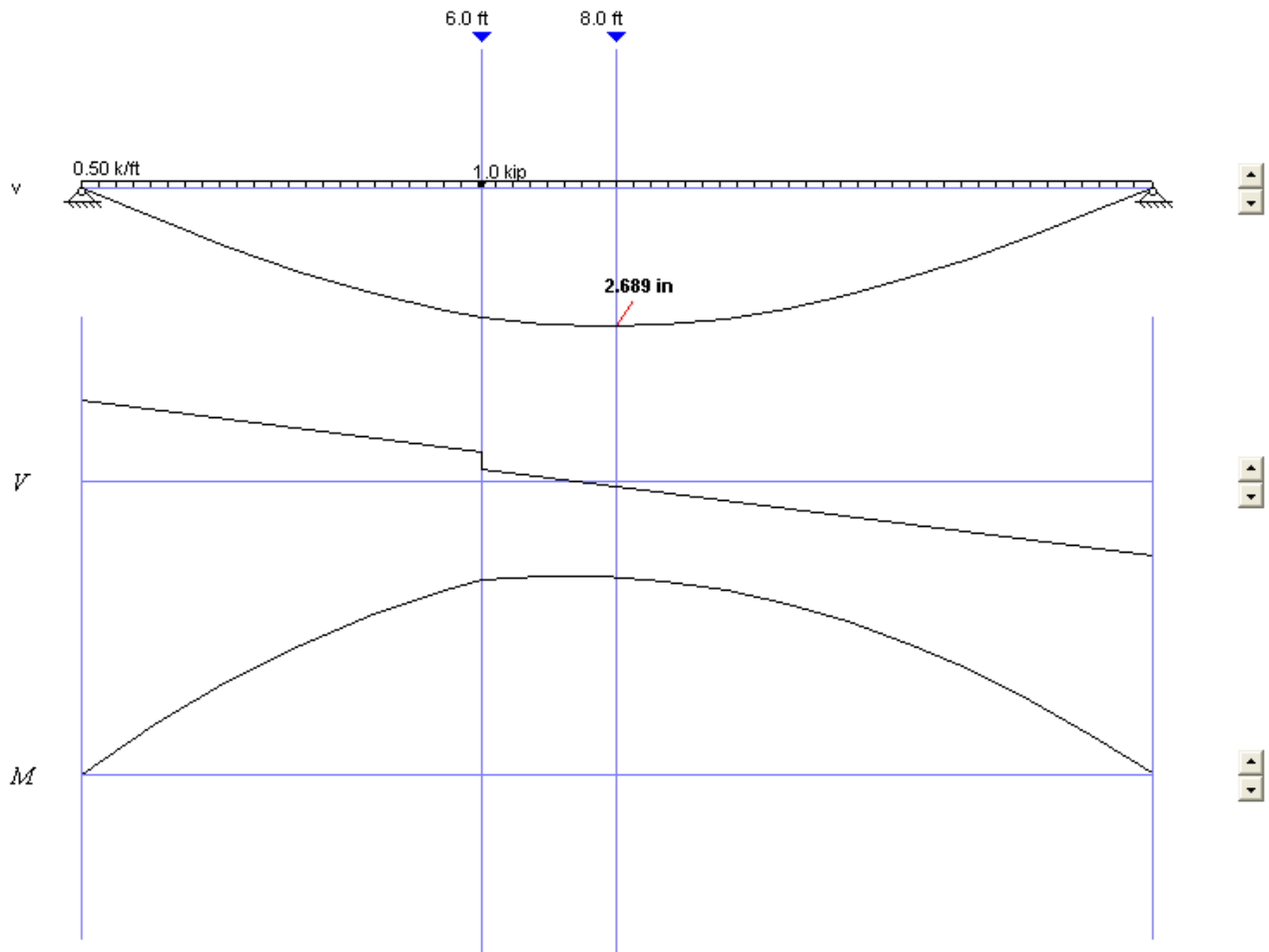


given:

length:	16 ft	udl:	500 lb/ft
concentrated load:	1000 lb	cross section:	4 x 8 in
moment of inertia:	170.67 in <sup>4</sup>	material fir with E:	1900 ksi

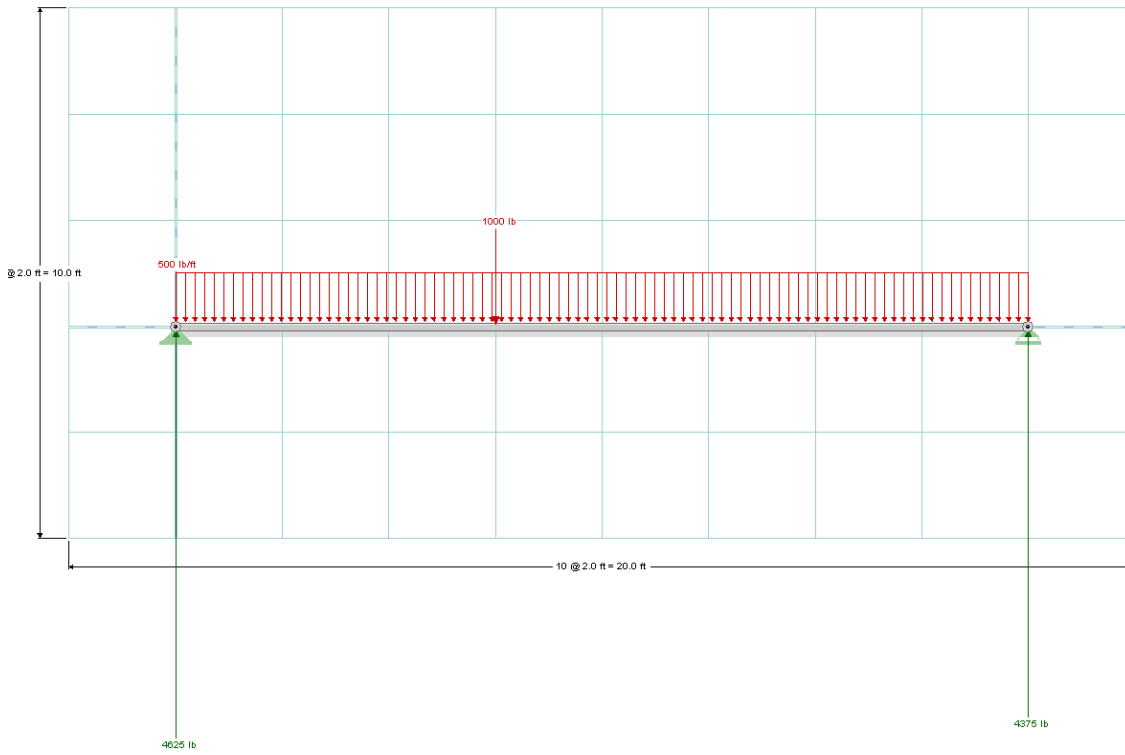
required: deflection at midspan

solution: 2.689 in



*solution by superposition:*

Educational License



Educational License

